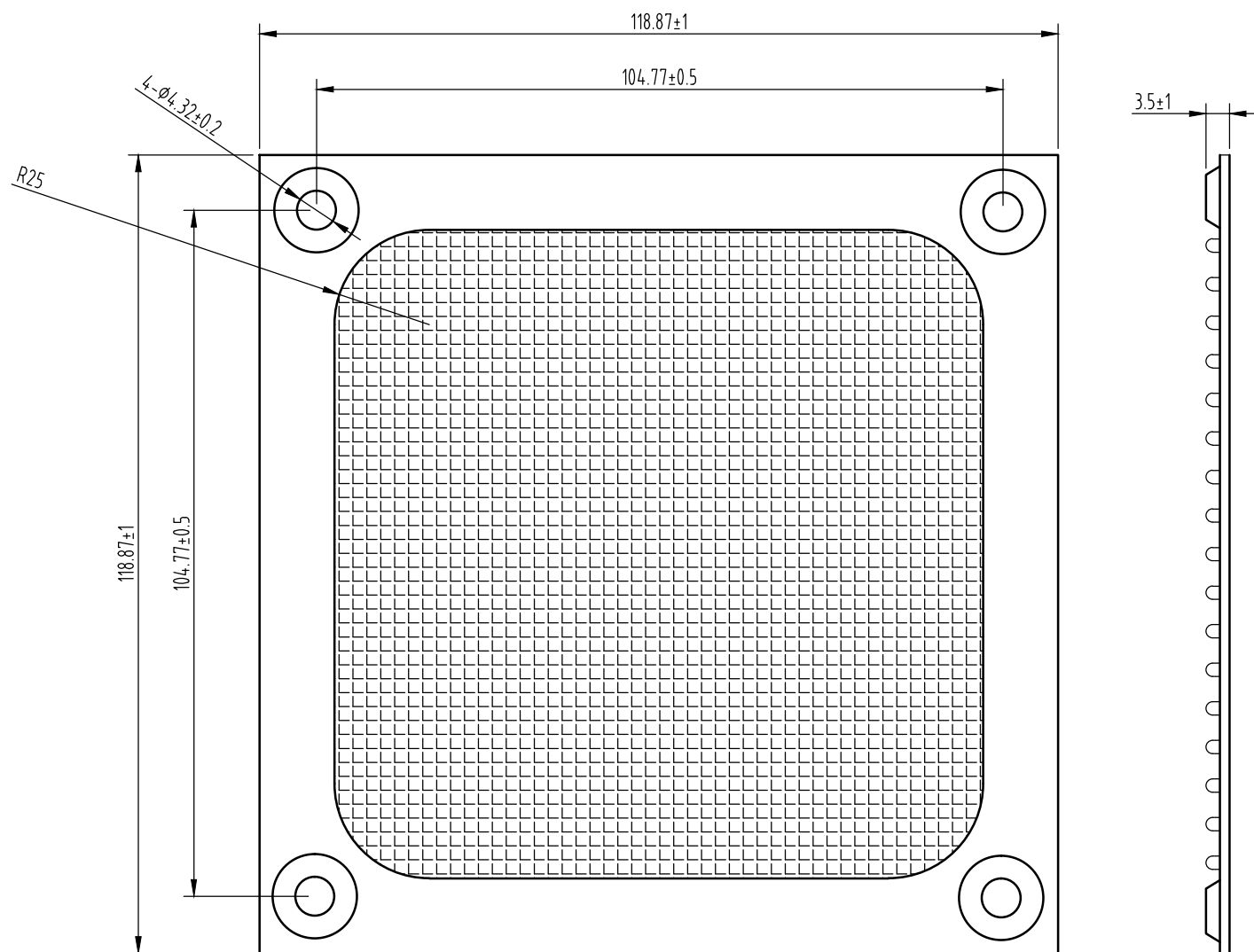


Parts Drawing



## NOTE

- 1.MATERIAL : (1)FRAME:ALUMINUM.  
 (2)MESH:STAINLESS STEEL.  
 2.FINISH:CLEANING.



ISO9001

INVNI TECH DEVELOPING CORP.  
 NO.7, ALLEY 11, LANE 144, SEC.2, YEN-PING  
 NORTH ROAD, TAIPEI 103, TAIWAN R.O.C.  
 TEL: (02)2553-2001 FAX: (02)2553-2004  
<http://www.invnitech.com>

TOLERANCE		DRAWING	Ryu 20190418	MODEL	12cm Metal Filter G4.120-001			REV.
RANGE	TOL±	CHECK	----	PART NO.	----			R-0.1
0~6	±0.1	APPROVED	----	SCALE	A4 1:1	UNIT	mm	
6~30	±0.2	SYMBOL	REDACTOR	DATE	DESCRIPTION			
30~80	±0.3		----	----	----			
UPWARD 80	±0.4		----	----	----			
ANGLE	±1°		----	----	----			